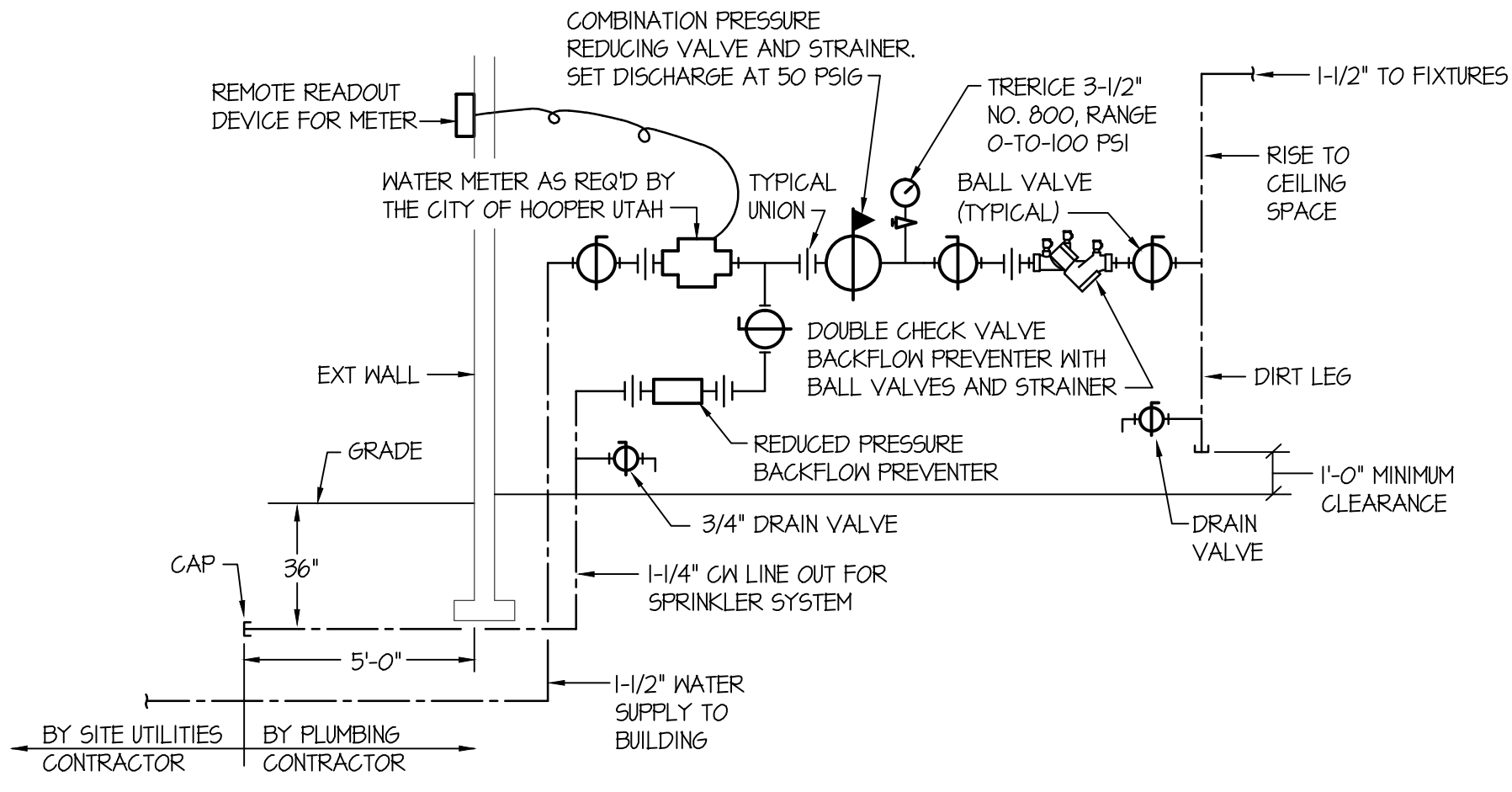
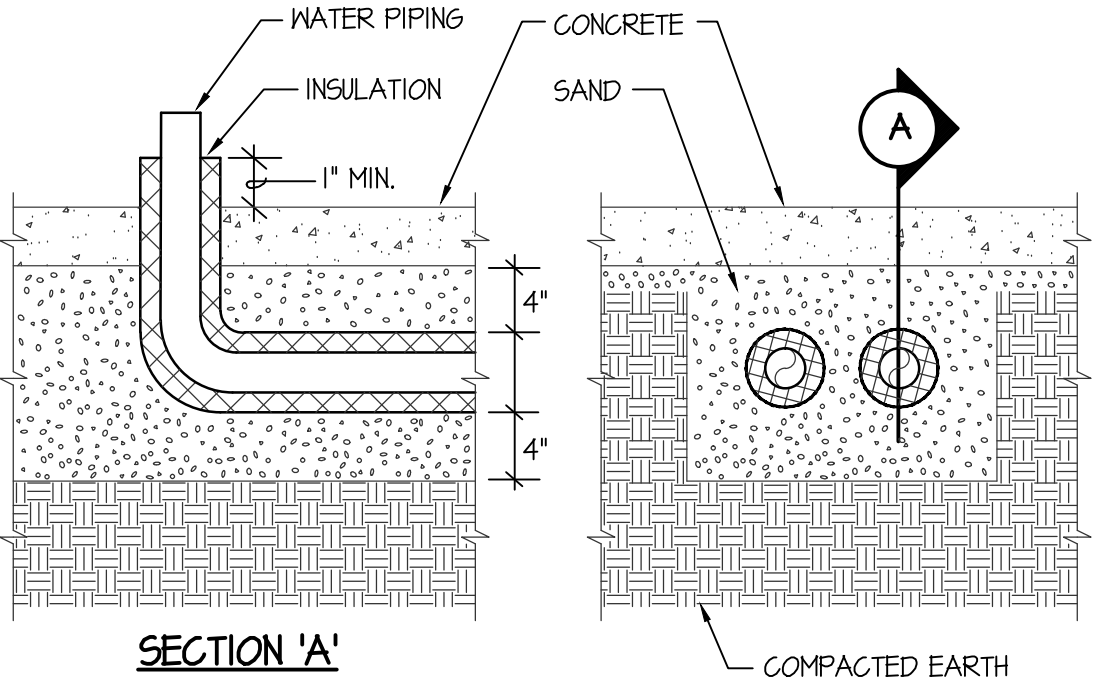
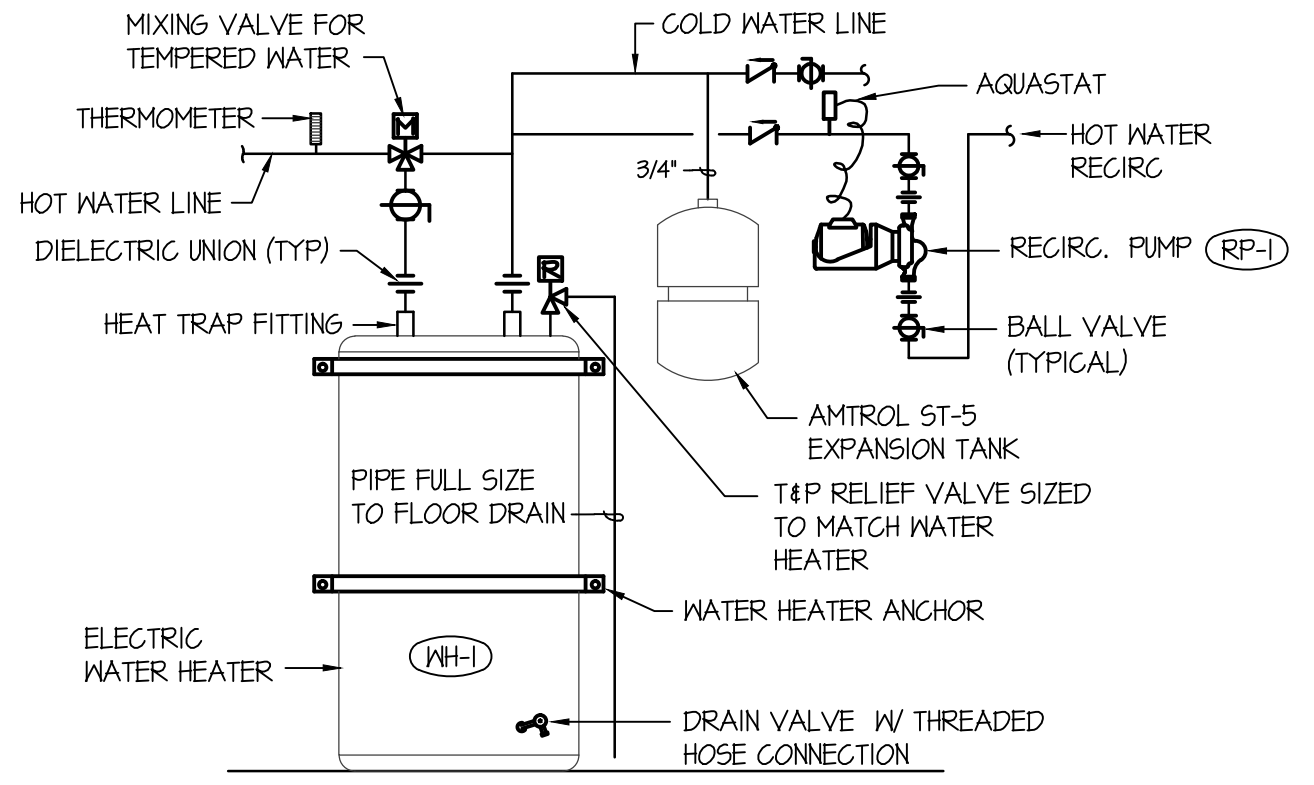
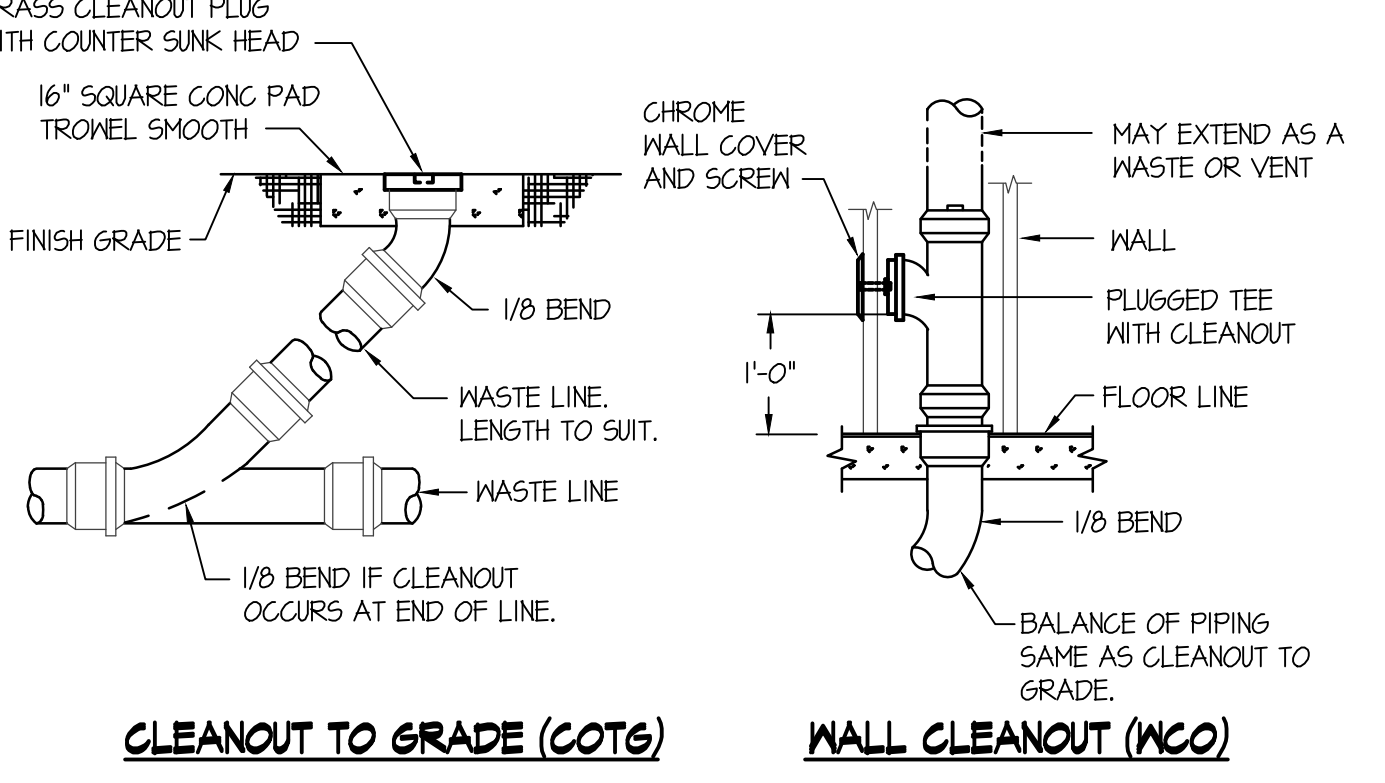
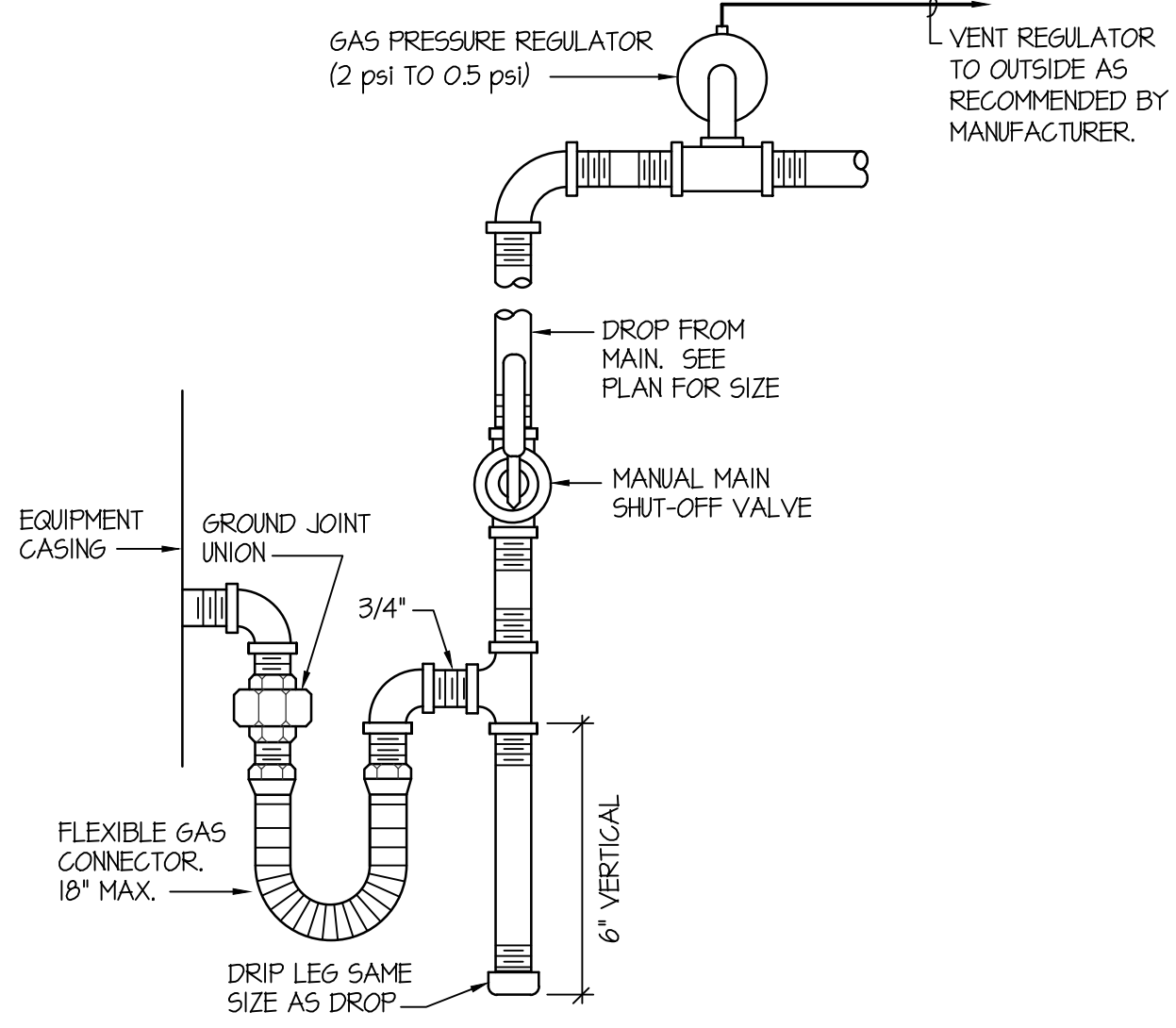
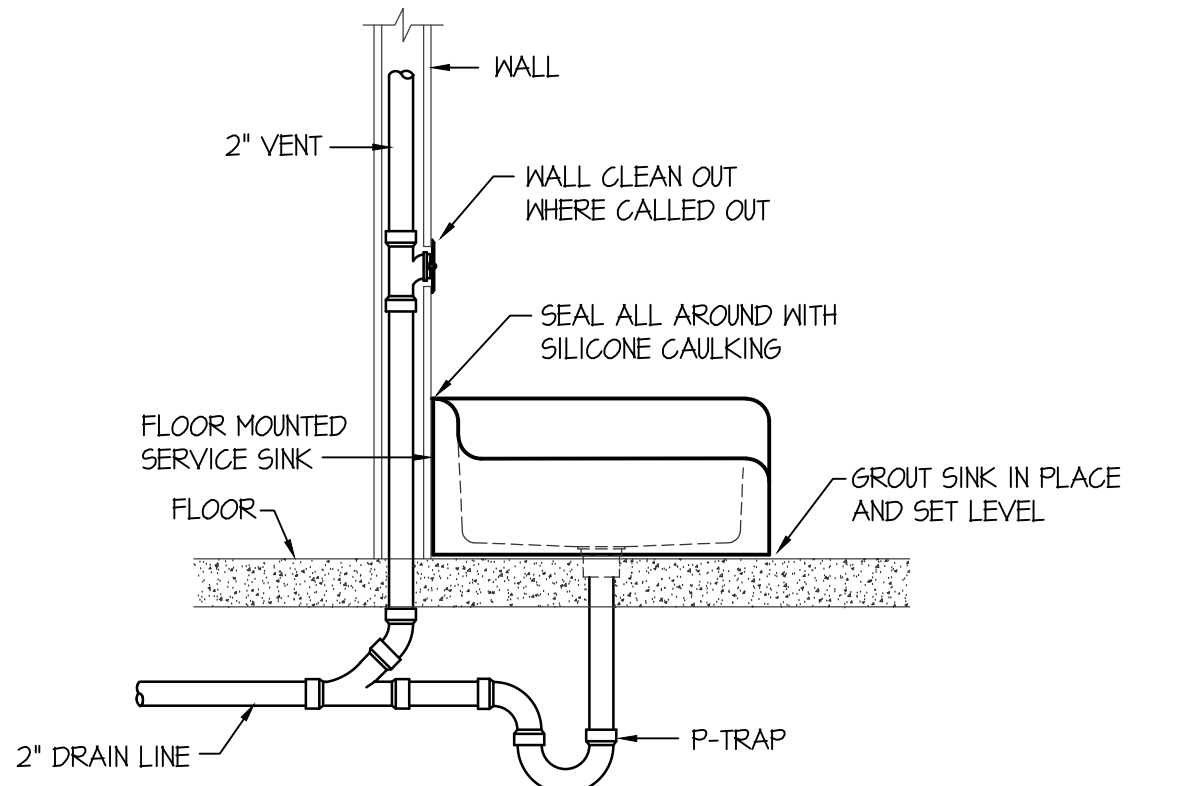
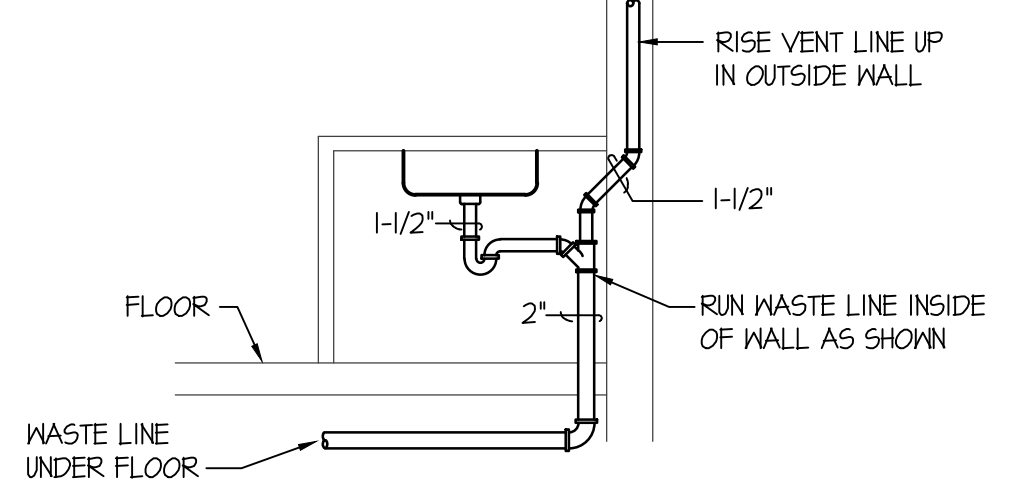
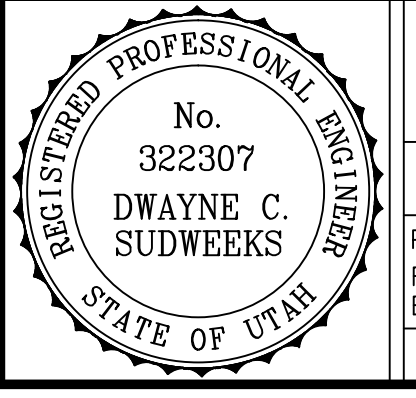


FIXTURE SCHEDULE					
SYM.	DESCRIPTION	HOT	COLD	WASTE	VENT
(DF-1)	BI-LEVEL DRINKING FOUNTAIN - ELKAY MODEL EZ-5TL8WSLK WITH EZH2O BOTTLE FILLER FLEXI-GUARD BUBBLERS, 1/2" STOP AND 1-1/2" P-TRAP. PROVIDE ALL INTERCONNECTING PIPING AND DRAIN.	---	1/2"	1-1/2"	1-1/2"
(FD-1)	2' FLOOR DRAIN WITH PRIMER - ZURN Z-415B WITH 5" NICKEL-BRONZE STRAINER AND 2" DEEP SEAL P-TRAP WITH ZURN 1022 TRAP PRIMER.	---	---	2"	2"
(FD-2)	2' FLOOR DRAIN - ZURN Z-415B WITH 5" NICKEL-BRONZE STRAINER AND 2" DEEP SEAL P-TRAP.	---	---	2"	2"
(FD-3)	4' FLOOR DRAIN WITH PRIMER - ZURN Z-415B WITH 8" NICKEL-BRONZE STRAINER AND 4" DEEP SEAL P-TRAP.	---	---	4"	---
(HB-1)	EXTERIOR HOSE BIBB - ZURN MODEL Z-1910 "ECOLOGIST" WITH REMOVABLE KEY. LENGTH TO SUIT WALL THICKNESS.	---	3/4"	---	---
(JS-1)	FLOOR MOUNTED SERVICE SINK - KOHLER K-6710 "WHITBY" W/ K-8440 WIRE RIM GUARD, K-8428 FAUCET ASSEMBLY & K-4142 STRAINER & DEEP SEAL P-TRAP. HOSE & HOSE CLAMP.	1/2"	1/2"	2"	2"
(L-1)	ADA COUNTERTOP LAVATORY - KOHLER MODEL K-2405-4 SELF-RIMMING "FARMINGTON" WITH MOEN L4601 LEVER FAUCET, K-T715 OPEN GRID STRAINER, 1/2" BALL STOPS AND 1-1/4" P-TRAP. INSULATE HOT WATER SUPPLY AND TRAP WITH JACKET.	1/2"	1/2"	1-1/2"	1-1/2"
(L-2)	COUNTERTOP LAVATORY - KOHLER MODEL K-2405-4 SELF-RIMMING "FARMINGTON" WITH MOEN L4601 LEVER FAUCET, K-T715 OPEN GRID STRAINER, 1/2" BALL STOPS AND 1-1/4" P-TRAP.	1/2"	1/2"	1-1/2"	1-1/2"
(RB-1)	REFRIGERATOR SUPPLY BOX - GUY GRAY MODEL BIM075 W/ 1/2" x 1/4" SHUT OFF VALVE.	---	1/2"	---	---
(RP-1)	CIRCULATING PUMP - GRUNDFOS MODEL LP15-10BT BRONZE PUMP WITH 3/4" FLANGES (2 GPM @ 5' OF HEAD) 120/60/1.	3/4"	---	---	---
(S-1)	DOUBLE COMPARTMENT SINK WITH GOOSENECK FAUCET - ELKAY MODEL LR-3319 WITH 18 GA TYPE 304 STAINLESS STEEL CONSTRUCTION, 3-HOLE FAUCET DRILLINGS, LK-4100 LEVER HANDLE FAUCET, (2) LK-49 STRAINERS, 1-1/2" P-TRAP AND 1/2" BALL TYPE STOP VALVES.	1/2"	1/2"	2"	2"
(U-1)	ADA WALL MOUNTED URINAL - KOHLER K-4984-T "FRESHMAN" WITH WALL CARRIER & SLOAN REGAL BATTERY FLUSH VALVE. MOUNT AT ADA LEVEL.	---	3/4"	2"	2"
(U-2)	WALL MOUNTED URINAL - KOHLER K-4984-T "FRESHMAN" W/ WALL CARRIER & SLOAN REGAL BATTERY FLUSH VALVE.	---	3/4"	2"	2"
(WC-1)	ADA TANK TYPE WATER CLOSET - KOHLER K-3421 "HIGHLINE" W/ ELONGATED BOWL, K-4670-C WHITE OPEN FRONT SEAT, BOLT CAPS AND 1/2" STOP VALVE.	---	1/2"	4"	2"
(WC-2)	WATER CLOSET - KOHLER K-3420 "WELLWORTH" WITH ELONGATED BOWL, K-4670-C OPEN FRONT SEAT, 1/2" STOP, AND CHINA BOLT CAPS.	---	1/2"	4"	2"
(WH-1)	ELECTRIC WATER HEATER - A.O. SMITH MODEL ECRT-50 50 GALLON ELECTRIC WATER HEATER WITH 4500 WATT UPPER & LOWER ELEMENTS (240/60/1), AMITROL ST-5 EXPANSION TANK, T&P VALVE. PROVIDE POWERS 3/4" LM-491-HO MIXING VALVE.	3/4"	3/4"	---	---


**WATER PRESSURE REDUCING STATION DETAIL**  
 NO SCALE

**UNDER SLAB PIPE INSTALLATION DETAIL**  
 NO SCALE

- NOTES:
- 1 - ALL WATER PIPING INSTALLED UNDERFLOOR SHALL BE TYPE "K" COPPER
  - 2 - WATER PIPE INSULATION ON UNDERFLOOR PIPING SHALL BE ARMAFLEX 3/4" THICK RUBBER PIPE INSULATION. TAPE INSULATION AT ALL SEAMS.
  - 3 - MINIMUM PIPE SIZE UNDERFLOOR SHALL BE 3/4" FOR COPPER, 1/2" FOR PEX
  - 4 - SAND FILL AROUND PIPING SHALL BE A MINIMUM OF 4" THICK. MATERIAL SHALL BE HAND TAMPED, RODDED OR LIGHTLY COMPACTED DURING INSTALLATION. CARE SHOULD BE TAKEN NOT TO DEFORM OR OTHERWISE DAMAGE PIPING OR INSULATION.


**WATER HEATER PIPING DETAIL**  
 NO SCALE

**CLEAN OUT DETAILS**  
 NO SCALE

**GAS LINE CONNECTION DETAIL**  
 NO SCALE

**SERVICE SINK INSTALLATION DETAIL**  
 NO SCALE

**VENT IN OUTSIDE WALL DETAIL**  
 NO SCALE

 ORIGINAL DRAWING SIGNED BY: DWAYNE C. SUDWEEKS  
 DATE ORIGINAL SIGNED: Jan 08, 2019  
 ORIGINAL ON FILE AT ENGINEERED SYSTEMS ASSOCIATES  
 1355 EAST CENTER, POCATELLO, IDAHO 83201

**Engineered Systems Associates**  
 1355 EAST CENTER  
 POCATELLO, IDAHO 83201  
 PHONE: (208) 233-0501  
 FAX: (208) 233-0529  
 EMAIL: esa@engsys.com  
 ESA JOB NUMBER: 18102

**P200**  
 DO NOT SCALE DRAWING